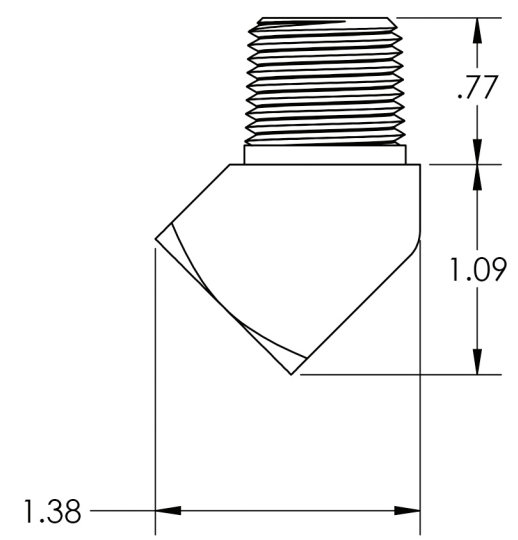
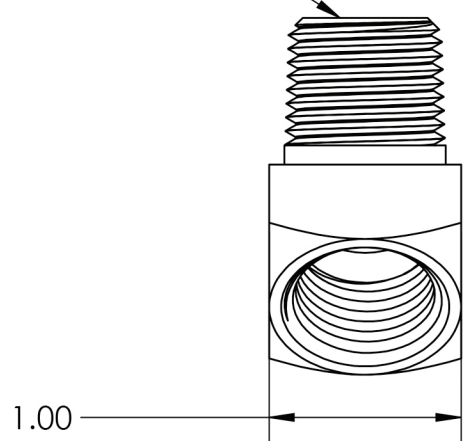


1/2 NPT PIPE SIZE, 14 THREADS PER INCH,  
0.53" THREAD ENGAGEMENT

1/2 NPT PIPE SIZE, 14 THREADS PER INCH,  
0.53" THREAD ENGAGEMENT



MATERIAL: BRASS

<p><b>CONFIDENTIAL</b> Information contained in this document or drawing is confidential and proprietary to Polyconn. This document may not be reproduced without written permission from Polyconn. All rights of design, invention and copyright are reserved</p>	<p>TOLERANCES: .xx = ±.01" .xxx = ±.005" .xxxx = ±.002" FRAC. = ±1/64" ANGLES = ±1/2°</p> <p>UNLESS OTHERWISE NOTED</p>	DRAWN BY:	DATE:	POLYCONN				REV:	
		RSW	2/15/21						REV:
		CHECKED BY:	DATE:	SIZE:	TITLE ELBOW STREET 45° BRASS 1/2 NPT				01
				A					
APPROVED BY:	DATE:	DO NOT SCALE DRAWING	DIMENSIONS ARE IN INCHES UNLESS OTHERWISE NOTED	SCALE:	SHEET	DWG NO.			
				1:1	1 OF 1	PC124NB-8			