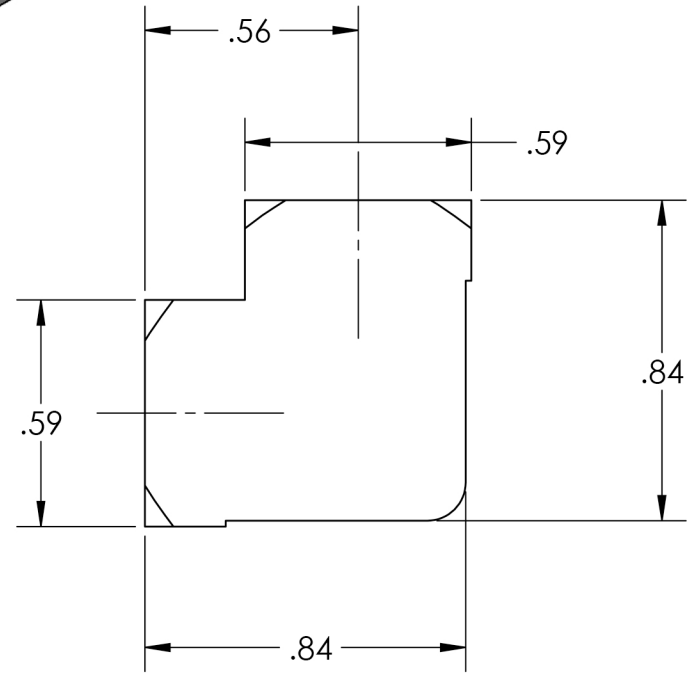
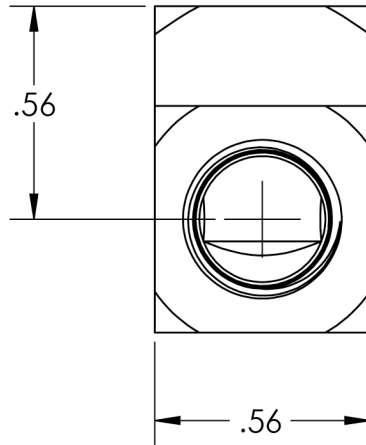
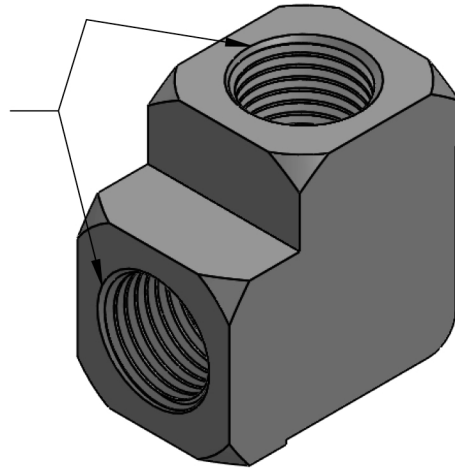


1/8 NPT PIPE SIZE, 27 THREADS PER INCH,
0.26" THREAD ENGAGEMENT



MATERIAL: BRASS

CONFIDENTIAL

Information contained in this document or drawing is confidential and proprietary to Polyconn. This document may not be reproduced without written permission from Polyconn. All rights of design, invention and copyright are reserved

TOLERANCES:
.xx = ±.01"
.xxx = ±.005"
.xxxx = ±.002"
FRAC. = ±1/64"
ANGLES = ±1/2°

UNLESS
OTHERWISE
NOTED

| | |
|--------------|----------|
| DRAWN BY: | DATE: |
| RSW | 08/04/20 |
| CHECKED BY: | DATE: |
| APPROVED BY: | DATE: |

| | | | | |
|----------------------|---|---------------|-----------------|----------------------|
| POLYCONN | | | | |
| SIZE: A | TITLE FEMALE ELBOW 90° BRASS 1/8 NPT | REV: 01 | | |
| DO NOT SCALE DRAWING | DIMENSIONS ARE IN INCHES UNLESS OTHERWISE NOTED | SCALE: 2:1 | SHEET 1 OF 1 | DWG NO. PC100NB-2 |