



Master *W*AIRhouse®
Fluid Power Products



LARGE HIGH FLOW MANIFOLDS



Features and Specifications for Large High Flow Manifolds

Since 1982, Polyconn has become the largest supplier of pneumatic bar stock manifolds in the United States. Manifolds are ideal for control systems or networks that need to branch out to supply pneumatic power to multiple locations. By running a feed line from your facility's air compressor to one of Polyconn's manifolds, you can use its output ports to supply pneumatic power for multiple tools at once.

SPECIFICATIONS

Product	Operating Pressure (PSI)	Temperature Range	Assembly Instructions
Large High Flow Manifolds	3,000 PSI Non-Shock Hydraulic 1,000 PSI Air	-10°F to +200°F	Air and liquids compatible with materials of construction

FEATURES

- * Aluminum with black anodizing for corrosion resistance
- * Polyconn can supply BSPT, BSPP or SAE threads

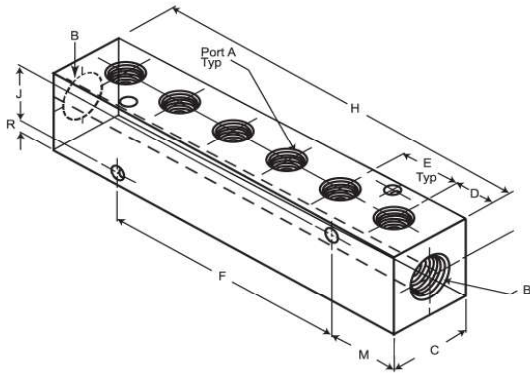
USES

- * For use with brass, copper or iron pipe
- * Designed for low and medium pressure pipe line connections
- * Commonly used in water, grease, refrigeration, instrumentation and low pressure systems

ORDERING INFORMATION

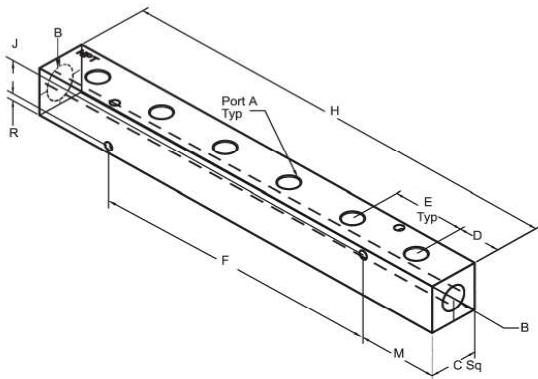
- * Contact us with your custom manifold requirements
- * All manifolds are sold separately
- * When design is dimension-critical, contact us for confirmation
- * All dimensions are subject to change without notice

BLACK ANODIZED LARGE HIGH FLOW MANIFOLD



Part Number	Outlets	A	B	C	D	E	F	H	J	M	R	QTY	List Price
PC000-03-1/2	3	1/2"	3/4"	2.0	1.25	1.5	1.5	5.5	1.5	2.0	0.25	1	\$ 54.19
PC000-03-3/4	3	3/4"	1"	2.5	1.5	2.0	2.0	7.0	2.0	2.5	0.25	1	\$ 124.78
PC000-04-1/2	4	1/2"	3/4"	2.0	1.25	1.5	3.0	7.0	1.5	2.0	0.25	1	\$ 67.06
PC000-04-3/4	4	3/4"	1"	2.5	1.5	2.0	4.0	9.0	2.0	2.5	0.25	1	\$ 156.78
PC000-05-1/2	5	1/2"	3/4"	2.0	1.25	1.5	4.5	8.5	1.5	2.0	0.25	1	\$ 80.33
PC000-05-3/4	5	3/4"	1"	2.5	1.5	2.0	6.0	11.0	2.0	2.5	0.25	1	\$ 187.47
PC000-06-1/2	6	1/2"	3/4"	2.0	1.25	1.5	6.0	10.0	1.5	2.0	0.25	1	\$ 94.39
PC000-06-3/4	6	3/4"	1"	2.5	1.5	2.0	8.0	13.0	2.0	2.5	0.25	1	\$ 220.69

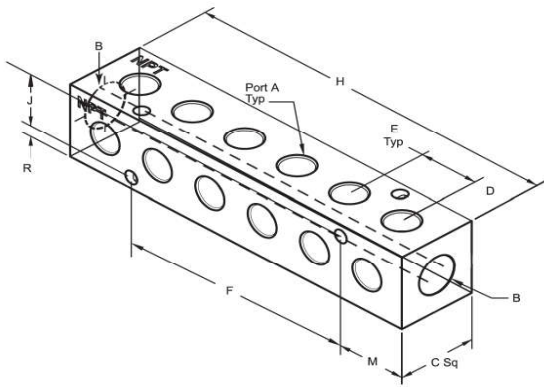
WIDE PORT SPACING MANIFOLD



Part Number	Outlets	A	B	C	D	E	F	H	J	M	R	QTY
PC000-03-1/2X	3	1/2"	3/4"	2.0	1.25	3.0	2.55	8.5	1.5	2.0	0.25	1
PC000-03-3/4X	3	3/4"	1"	2.5	1.5	3.5	5.0	10.0	2.0	2.5	0.25	1
PC000-04-1/2X	4	1/2"	3/4"	2.0	1.25	3.0	3.75	11.5	1.5	2.0	0.25	1
PC000-04-3/4X	4	3/4"	1"	2.5	1.5	3.5	8.5	13.5	2.0	2.5	0.25	1
PC000-05-1/2X	5	1/2"	3/4"	2.0	1.25	3.0	5.25	14.5	1.5	2.0	0.25	1
PC000-05-3/4X	5	3/4"	1"	2.5	1.5	3.5	12.0	17.0	2.0	2.5	0.25	1
PC000-06-1/2X	6	1/2"	3/4"	2.0	1.25	3.0	6.75	17.5	1.5	2.0	0.25	1
PC000-06-3/4X	6	3/4"	1"	2.5	1.5	3.5	15.5	20.5	2.0	2.5	0.25	1

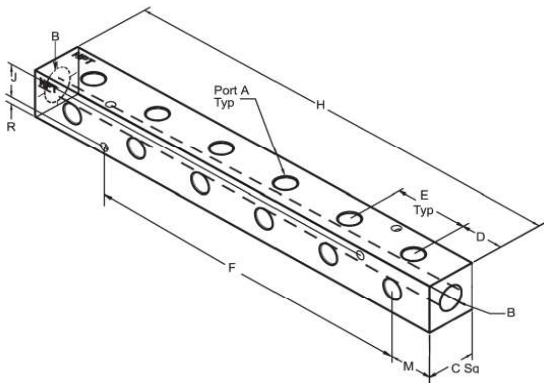
Contact Polyconn for pricing and availability

BLACK ANODIZED LARGE HIGH FLOW MANIFOLD WITH RIGHT ANGLE PORTS



Part Number	Outlets	A	B	C	D	E	F	H	J	M	R	QTY	List Price
PC090-03-1/2	6	1/2"	3/4"	2.0	1.25	1.5	1.5	5.5	1.5	2.0	0.25	1	\$ 66.92
PC090-03-3/4	6	3/4"	1"	2.5	1.5	2.0	2.0	7.0	2.0	2.5	0.25	1	\$ 156.14
PC090-04-1/2	8	1/2"	3/4"	2.0	1.25	1.5	3.0	7.0	1.5	2.0	0.25	1	\$ 83.86
PC090-04-3/4	8	3/4"	1"	2.5	1.5	2.0	4.0	9.0	2.0	2.5	0.25	1	\$ 227.31
PC090-05-1/2	10	1/2"	3/4"	2.0	1.25	1.5	4.5	8.5	1.5	2.0	0.25	1	\$ 100.81
PC090-05-3/4	10	3/4"	1"	2.5	1.5	2.0	6.0	11.0	2.0	2.5	0.25	1	\$ 236.44
PC090-06-1/2	12	1/2"	3/4"	2.0	1.25	1.5	6.0	10.0	1.5	2.0	0.25	1	\$ 117.97
PC090-06-3/4	12	3/4"	1"	2.5	1.5	2.0	8.0	13.0	2.0	2.5	0.25	1	\$ 275.89

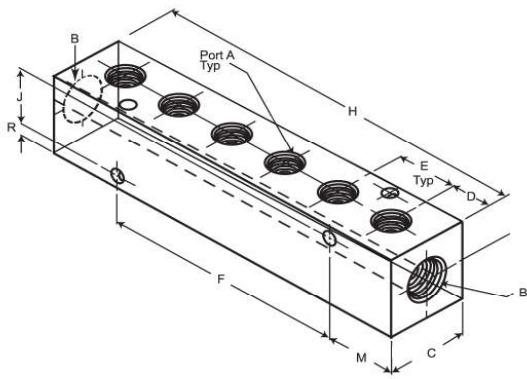
WIDE PORT SPACING RIGHT ANGLE MANIFOLD



Part Number	Outlets	A	B	C	D	E	F	H	J	M	R	QTY
PC090-03-1/2X	6	1/2"	3/4"	2.0	1.25	3.0	2.55	8.5	1.5	2.0	0.25	1
PC090-03-3/4X	6	3/4"	1"	2.5	1.5	3.5	5.0	10.0	2.0	2.5	0.25	1
PC090-04-1/2X	8	1/2"	3/4"	2.0	1.25	3.0	3.75	11.5	1.5	2.0	0.25	1
PC090-04-3/4X	8	3/4"	1"	2.5	1.5	3.5	8.5	13.5	2.0	2.5	0.25	1
PC090-05-1/2X	10	1/2"	3/4"	2.0	1.25	3.0	5.25	14.5	1.5	2.0	0.25	1
PC090-05-3/4X	10	3/4"	1"	2.5	1.5	3.5	12.0	17.0	2.0	2.5	0.25	1
PC090-06-1/2X	12	1/2"	3/4"	2.0	1.25	3.0	6.75	17.5	1.5	2.0	0.25	1
PC090-06-3/4X	12	3/4"	1"	2.5	1.5	3.5	15.5	20.5	2.0	2.5	0.25	1

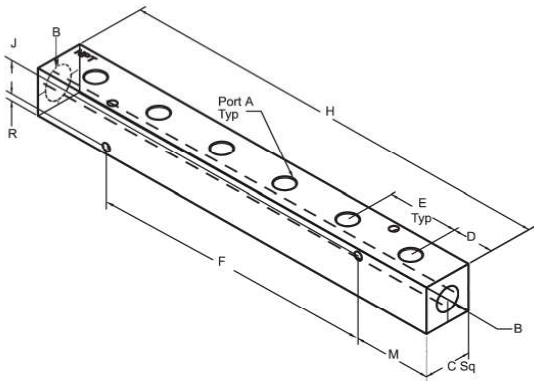
Contact Polyconn for pricing and availability

NICKEL PLATED HIGH FLOW MANIFOLD



Part Number	Outlets	A	B	C	D	E	F	H	J	M	R	QTY	List Price
PC000-03-1/2-NP	3	1/2"	3/4"	2.0	1.25	1.5	1.5	5.5	1.5	2.0	0.25	1	\$ 59.58
PC000-03-3/4-NP	3	3/4"	1"	2.5	1.5	2.0	2.0	7.0	2.0	2.5	0.25	1	\$ 130.44
PC000-04-1/2-NP	4	1/2"	3/4"	2.0	1.25	1.5	3.0	7.0	1.5	2.0	0.25	1	\$ 72.44
PC000-04-3/4-NP	4	3/4"	1"	2.5	1.5	2.0	4.0	9.0	2.0	2.5	0.25	1	\$ 162.33
PC000-05-1/2-NP	5	1/2"	3/4"	2.0	1.25	1.5	4.5	8.5	1.5	2.0	0.25	1	\$ 85.17
PC000-05-3/4-NP	5	3/4"	1"	2.5	1.5	2.0	6.0	11.0	2.0	2.5	0.25	1	\$ 193.03
PC000-06-1/2-NP	6	1/2"	3/4"	2.0	1.25	1.5	6.0	10.0	1.5	2.0	0.25	1	\$ 99.78
PC000-06-3/4-NP	6	3/4"	1"	2.5	1.5	2.0	8.0	13.0	2.0	2.5	0.25	1	\$ 226.25

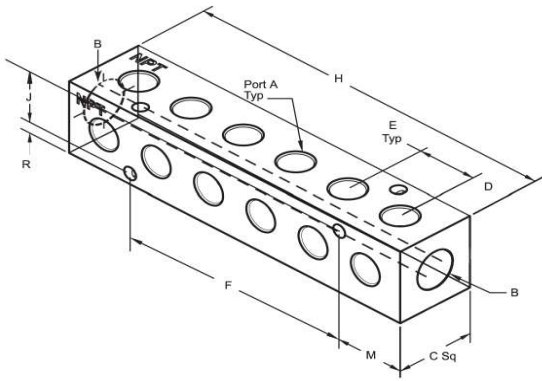
WIDE PORT SPACING MANIFOLD



Part Number	Outlets	A	B	C	D	E	F	H	J	M	R	QTY
PC000-03-1/2XNP	3	1/2"	3/4"	2.0	1.25	3.0	2.55	8.5	1.5	2.0	0.25	1
PC000-03-3/4XNP	3	3/4"	1"	2.5	1.5	3.5	5.0	10.0	2.0	2.5	0.25	1
PC000-04-1/2XNP	4	1/2"	3/4"	2.0	1.25	3.0	3.75	11.5	1.5	2.0	0.25	1
PC000-04-3/4XNP	4	3/4"	1"	2.5	1.5	3.5	8.5	13.5	2.0	2.5	0.25	1
PC000-05-1/2XNP	5	1/2"	3/4"	2.0	1.25	3.0	5.25	14.5	1.5	2.0	0.25	1
PC000-05-3/4XNP	5	3/4"	1"	2.5	1.5	3.5	12.0	17.0	2.0	2.5	0.25	1
PC000-06-1/2XNP	6	1/2"	3/4"	2.0	1.25	3.0	6.75	17.5	1.5	2.0	0.25	1
PC000-06-3/4XNP	6	3/4"	1"	2.5	1.5	3.5	15.5	20.5	2.0	2.5	0.25	1

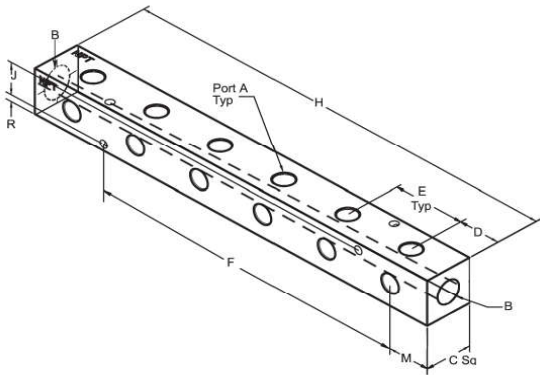
Contact Polyconn for pricing and availability

NICKEL PLATED LARGE HIGH FLOW MANIFOLD WITH RIGHT ANGLE PORTS



Part Number	Outlets	A	B	C	D	E	F	H	J	M	R	QTY	List Price
PC090-03-1/2-NP	6	1/2"	3/4"	2.0	1.25	1.5	1.5	5.5	1.5	2.0	0.25	1	\$ 72.44
PC090-03-3/4-NP	6	3/4"	1"	2.5	1.5	2.0	2.0	7.0	2.0	2.5	0.25	1	\$ 161.69
PC090-04-1/2-NP	8	1/2"	3/4"	2.0	1.25	1.5	3.0	7.0	1.5	2.0	0.25	1	\$ 89.39
PC090-04-3/4-NP	8	3/4"	1"	2.5	1.5	2.0	4.0	9.0	2.0	2.5	0.25	1	\$ 232.86
PC090-05-1/2-NP	10	1/2"	3/4"	2.0	1.25	1.5	4.5	8.5	1.5	2.0	0.25	1	\$ 106.33
PC090-05-3/4-NP	10	3/4"	1"	2.5	1.5	2.0	6.0	11.0	2.0	2.5	0.25	1	\$ 242.00
PC090-06-1/2-NP	12	1/2"	3/4"	2.0	1.25	1.5	6.0	10.0	1.5	2.0	0.25	1	\$ 123.50
PC090-06-3/4-NP	12	3/4"	1"	2.5	1.5	2.0	8.0	13.0	2.0	2.5	0.25	1	\$ 281.44

WIDE PORT SPACING RIGHT ANGLE MANIFOLD



Part Number	Outlets	A	B	C	D	E	F	H	J	M	R	QTY
PC090-03-1/2XNP	6	1/2"	3/4"	2.0	1.25	3.0	2.55	8.5	1.5	2.0	0.25	1
PC090-03-3/4XNP	6	3/4"	1"	2.5	1.5	3.5	5.0	10.0	2.0	2.5	0.25	1
PC090-04-1/2XNP	8	1/2"	3/4"	2.0	1.25	3.0	3.75	11.5	1.5	2.0	0.25	1
PC090-04-3/4XNP	8	3/4"	1"	2.5	1.5	3.5	8.5	13.5	2.0	2.5	0.25	1
PC090-05-1/2XNP	10	1/2"	3/4"	2.0	1.25	3.0	5.25	14.5	1.5	2.0	0.25	1
PC090-05-3/4XNP	10	3/4"	1"	2.5	1.5	3.5	12.0	17.0	2.0	2.5	0.25	1
PC090-06-1/2XNP	12	1/2"	3/4"	2.0	1.25	3.0	6.75	17.5	1.5	2.0	0.25	1
PC090-06-3/4XNP	12	3/4"	1"	2.5	1.5	3.5	15.5	20.5	2.0	2.5	0.25	1

Contact Polyconn for pricing and availability

Now that you have your
Manifold don't forget
your tubing!



Polyconn offers Push-In
fittings in many different
materials!



Polyconn carries Polyurethane,
Nylon, Polyethylene and many
more materials to choose from!

Available Materials:
Composite
Plastic
Nickel Plated Brass
Stainless Steel
D.O.T. Brass

Polyconn[®] the one-stop shop for your
pneumatic needs.